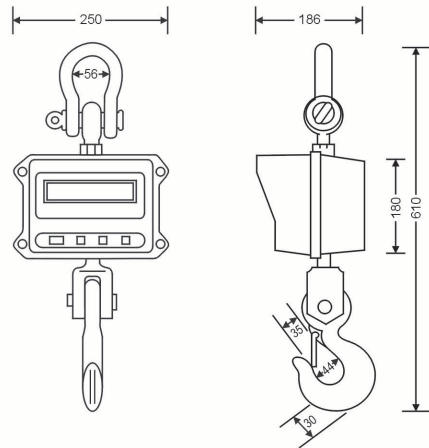




## TL-A SERIES Large LED display



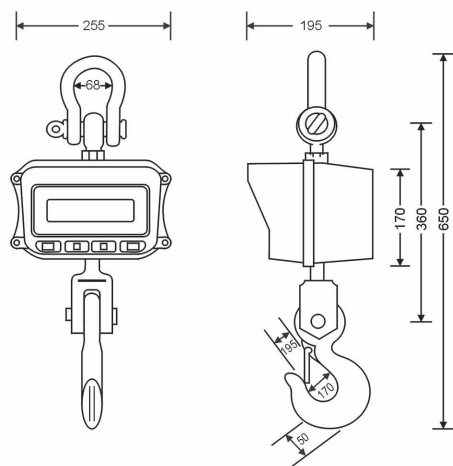
UNIT:mm



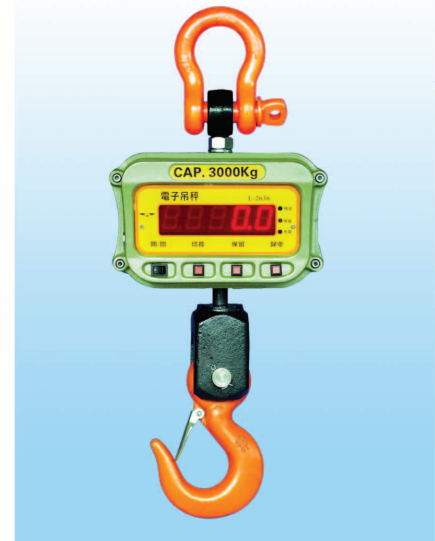
Model	TL-600A	TL-1000A	TL-1500A
Capacity	600kg	1T	1.5T
Division	0.2kg	0.5kg	0.5kg
Resolution	0.1/0.2/0.5(kg)	0.2/0.5/1(kg)	0.2/0.5/1(kg)
N-W(kg)	12.1kg	12.1kg	12.1kg



## TX-A SERIES



UNIT:mm



Model	TX-2000A	TX-3000A
Capacity	2T	3T
Division	1.0kg	1.0kg
Resolution	0.5/1/2(kg)	0.5/1/2(kg)
N-W(kg)	15.8kg	15.8kg

### Characteristics:

1. Initial Range: Up to 100% of Load Cell Output.
2. Tare Range: 100% of the scale capacity.
3. Zero setting: Operated through push button when the scale is stable.
4. Auto Zero Tracking: Range and Time delay are adjustable.