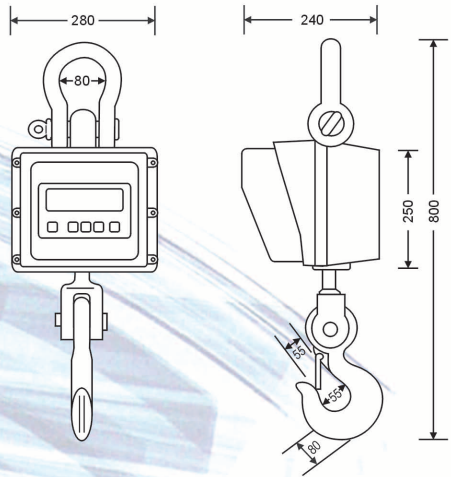




## TA SERIES Large LCD display, made in Japan



UNIT:mm



Model	TA-600A	TA-1000A	TA-1500A	TA-2000A	TA-3000A	TA-5000B	TA-7500B	TA-10000B
Capacity	600kg	1T	1.5T	2T	3T	5T	7.5T	10T
Division	0.2kg	0.5kg	0.5kg	1.0kg	1.0kg	2.0kg	2.0kg	2.0kg
Resolution	0.1/0.2(kg)	0.2/0.5(kg)	0.5/1(kg)	0.5/1(kg)	0.5/1(kg)	1/2(kg)	2/5(kg)	2/5(kg)
N-W(kg)	14.2kg	14.2kg	15.2kg	15.2kg	16.2kg	19.2kg	22kg	24kg

### Characteristics:

1. A design of energy-saving and it can operate above 600 hours.
2. It has the function of standard error.
3. Large LCD (liquid crystal display) screen. Clear and bright font.
4. the screen shows fast, has superior stability and easy to read.
5. Because of the light body, it's convenient to carry it with you when it is electrified.
6. The structure of the crust is solid. And it's a durable product, having devices of super load and safekeeping.
7. The monitor is originally produced in TANAKA Japan.
8. It is provided with luminous installation.
9. The time of electrification is 8 hours and it can work 600 hours continuously.  
(exclude luminous installation)



力正衡器有限公司

LI-CHEN MEASURE CO.,LTD

公司：高雄市三民區民族一路306號  
工廠：高雄縣岡山鎮正氣路119巷12號

Company : NO.306 Min-Tsu 1st.Rd., San Ming Dist Kaohsiung  
City 807, Taiwan.R.O.C

TEL:886-7-3822655 FAX:886-7-3818684

Factory : NO.12 Lane 199, Zhengi Rd Gangshan Town, Kaohsiung  
County 820, Taiwan,R.O.C. TEL:886-7-6246638

Http :// www.zchen.com.tw

E-mail : 2638@zchen.com.tw